

EL[®]MARK

The Brand of Electricity

LED PANEL ROUND ECO SERIES



Technical data:

- Nominal voltage: 230V/ 50-60Hz
- Power: 6W; 12W; 18W; 24W; 28W
- Power supply: Control gear; DC device- driver
- Light source: Epistar SMD2835
- Colour temperature: 2700-3000K; 4000-4300K; 6000-6400K
- Colour body: White
- Body material: PC
- Reflector: Polycarbonate (PC)
- Beam angle: 180°
- Colour rendering index: Ra≥80
- Switch on/off:>20 000
- Long life: 30 000h
- Starting time: <0.5s
- Power factor: $\lambda > 0.8$
- Protection against dust and moisture: IP40
- Easy installation due to handy clips
- Recessed mounted luminaire.

Features:

- Completely replace traditional fluorescent lighting
- Safety, low voltage operation
- Installation options: suspended ceilings, artificial walls, pendant mounting
- Emit a very pleasant and even light with very low glare factor due to the diffusion lens
- Low power consumption
- Repeated switch-on/off does not affect the lifespan of the LED panel
- Instant light with maximum luminous flux
- Environmentally friendly - do not emit mercury and lead (RoHS Directive)
- No ultraviolet and infrared rays
- Resistant to shock and vibration

TECHNICAL SPECIFICATION

INDOOR-LED PANELS

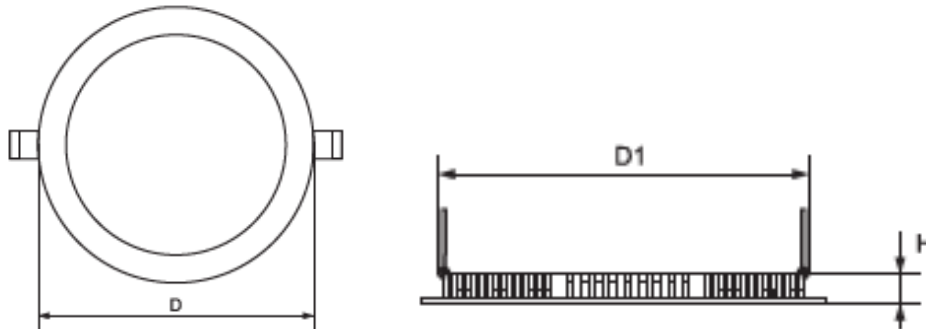
ELMARK[®]

The Brand of Electricity

Area of application:

- Residential buildings
- Administrative buildings
- Banks
- Hospitals
- Schools

Variants and Dimensions:



Watt	Whole fixture lumens	Colour temp.	Colour body	Size (mm)			Catalogue number
				Diameter	Height	Diameter1	
6	510	6000-6400	White	100	25	80	99LED960CW
6	510	4000-4300	White	100	25	80	99LED960
6	510	2700-3000	White	100	25	80	99LED960WW
12	1020	6000-6400	White	145	25	125	99LED961CW
12	1020	4000-4300	White	145	25	125	99LED961
12	1020	2700-3000	White	145	25	125	99LED961WW
18	1530	6000-6400	White	170	25	150	99LED962CW
18	1530	4000-4300	White	170	25	150	99LED962
18	1530	2700-3000	White	170	25	150	99LED962WW
24	2040	6000-6400	White	195	25	175	99LED963CW
24	2040	4000-4300	White	195	25	175	99LED963
24	2040	2700-3000	White	195	25	175	99LED963WW
28	2500	6000-6400	White	220	25	200	99LED964CW
28	2500	4000-4300	White	220	25	200	99LED964
28	2500	2700-3000	White	220	25	200	99LED964WW

TECHNICAL SPECIFICATION

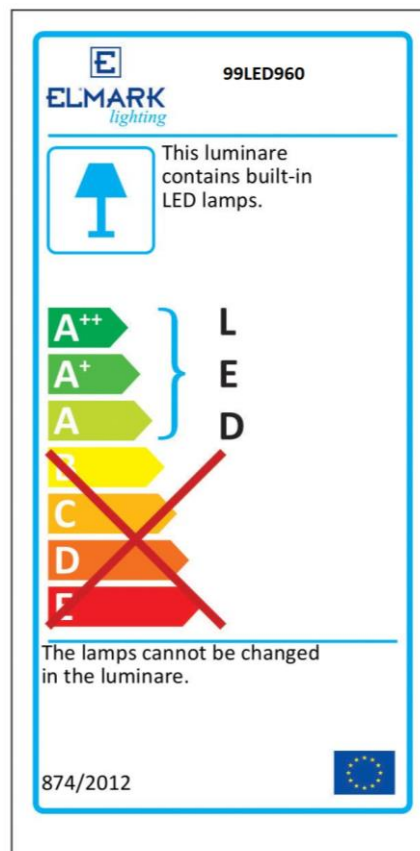
INDOOR-LED PANELS

ELMARK®

The Brand of Electricity

Barcodes:

3800131215390	99LED960
3800131215406	99LED960CW
3800131215383	99LED960WW
3800131215420	99LED961
3800131215437	99LED961CW
3800131215413	99LED961WW
3800131215451	99LED962
3800131215468	99LED962CW
3800131215444	99LED962WW
3800131215482	99LED963
3800131215499	99LED963CW
3800131215475	99LED963WW
3800131215512	99LED964
3800131215529	99LED964CW
3800131215505	99LED964WW



EN 55015 • EN 61000-3-2 • EN 61000-3-3 • EN 61547 • EN 60598-1 • EN 60598-2-2 • EN 61347-1
EN 61347-2-13 • EN 13032-4 • EN 50581:2012

CE RoHS COMPLIANT

www.elmarkholding.eu